



## Regulator Installation and Maintenance Instructions

# Model 122 Regulators

### Introduction

The Model 122 Regulator illustrates a combination of capacity, performance and value...

Streamlined body passages provide large capacity. Internal control is standard with external control also available. The 122 has a fast speed of response, yet is stable in operation. Soft seats assure positive tight shutoff. Orifices are replaceable. Springs are color coded.

And it is also available as a zero governor or atmospheric regulator, a differential regulator and a relief valve or backpressure regulator.

### Installation

1. Examine the regulator for shipping damage.
2. Check nameplate data. Be sure regulator conforms with what was ordered.
3. Inside of regulator and piping must be clean and free of dirt. Remove all dirt and debris before installing regulator. Failure to remove dirt/debris could result in regulator damage or trouble.
4. Remove all shipping screens and covers from the regulator. Do not let dirt get inside the regulator.
5. Install the regulator. Make sure the inlet and outlet are correctly connected. High pressure connects to the inlet. The flow arrow must point downstream.
6. Screwed connections must conform with good piping practice free of excess thread engagement per ANSI B2.1 Apply pipe joint compound to make threads only.
7. The model 122 regulator is usually installed right side-up as shown on the Typical Installation drawing (See Page 2). It may, however, be installed upside down. Although, when inverted it may be necessary to readjust the set-point.

**Caution:** Do not install sideways. The diaphragm should be horizontal.

8. On indoor installations requiring venting outdoors, run the vent piping as short and direct as possible with minimum bends and elbows. Use the same size pipe as the vent connections on the regulator. With natural gas, or any other hazardous gas, vent to a safe place outdoors in case gas should accidentally be discharged. Screen and protect the opening outdoors to guard against water, ice, dirt, debris or insects.

This item only applies to regulators requiring a control line. It does not apply to 122 Regulators with internal control. Install the control line. Connect it into the outlet piping at least 5 pipe diameters downstream from the regulator.

#### CAUTIONS:

- a. On backpressure regulators and relief valves with external control, the control line connects into the **inlet** piping.
- b. Do not install any automatic shutoff device that closes completely between the regulator and the control line connection into the piping.

To avoid excessive turbulence, the connection should be clean and smooth on the inside and be located in straight pipe clear of valves and fittings. Keep the inside of the control line clean and protect it from corrosion. Pitch it away from the regulator and avoid moisture pockets. It must be strong (1/4" or larger steel tubing or pipe is preferred). It must be well protected against breakage (remember...regulators open wide if the control breaks).

9. Make sure the regulator is correctly connected and adequately supported and pipe joints are tight.

### Start-Up

- A. The inlet and outlet shutoff valves should both be closed. If a by-pass is used, the bypass valve should also be closed.
- B. Note the set-point (set-point is the outlet pressure the regulator is adjusted to deliver). Regulator is factory adjusted to the set-point specified on the order.

**CAUTION:** This caution applies where the piping downstream of the outlet shutoff valve is pressured. That pressure must not exceed the regulator set-point by more than 2 psi (see "Maximum Emergency Pressures", Page 9).

- C. Slowly and carefully open the **inlet** shutoff valve just enough to allow **inlet pressure** to buildup slowly in the regulator until it is fully pressured.

**CAUTION:** During start-up a pressure gauge must be used on the regulator **outlet** pressure and carefully watched. While **inlet** pressure builds up, **outlet** pressure must not exceed set-point by more than 1 psi. If **outlet** pressure begins to exceed set-point by more than 1 psi, close the **inlet** shutoff valve. This indicates the regulator is not closing properly. Check and make necessary corrections before proceeding with start-up.

If regulator **outlet** pressure exceeds set-point by more than 2 psi, refer to "Maximum Emergency Pressures", Page 9 for instructions.

- D. Check installation for leaks.
- E. Slowly open the outlet shutoff valve to allow a small flow (approximately 250 SCFH). Make sure the flow of gas does not create a hazard.

**NOTE:** If piping downstream of outlet shutoff valve is pressurized, see "CAUTION" under B.

- F. With gas flowing, check for correct inlet and outlet pressures. It may be necessary to further open the inlet shutoff valve to maintain full inlet pressure.
- G. Make sure the regulator closes tight (tight lock-up). To do this, reduce flow to zero by slowly closing the outlet shutoff valve. Outlet pressure should not exceed set-point by more than 3" w.c.
- H. Fully open inlet and outlet shutoff valves. Do this slowly and carefully. Watch pressure gauges.
- I. Complete start-up by making sure there are no leaks.

### NOTE

- Do not exceed the regulator's pressure ratings. The regulator outlet has a lower pressure rating than the inlet. Do not expose the regulator outlet or control line to inlet pressure.

Regulator with external control may be used as an upstream monitor or upstream regulator in a monitor set. However, if a 122 Internal Control is converted to External Control, the internal control opening must be closed off and the control line must connect into the outlet piping downstream of the downstream regulator.

- If the regulator is to be moved to another location, make sure it's construction is compatible with the pressure and flow conditions.

### Temperature Limits

The Model 122 Regulator can be used for flowing temperatures from -20° F. to 150° F.

### Buried Service

The Model 122 Regulator is not recommended for buried service.

## Set Point Adjustment (See pages four through nine)

A. The 122 is factory adjusted as specified on the order. To change the set-point, readjust as follows:

1. Remove top cap 1.
2. Adjust set-point with adjustment button 3 or 6. Turn clockwise to increase and counterclockwise to decrease the outlet pressure

**NOTE:** a. Only make this adjustment when gas is actually flowing through the regulator. The flow should be small (approximately 250 SCFH). Do not adjust when the regulator is closed and there is no flow.

b. Do not increase the set-point beyond the upper limit of the outlet pressure range for the spring 9 (refer to spring tables, Page 3).

c. Always check the outlet pressure with a pressure gauge while adjusting the set-point.

3. When adjustment is complete, replace top cap 1. Screw it securely into place. Leaving it off could cause unstable regulator operation.

### CAUTION

**It is the user's responsibility to assure that all regulator vents and/or vent lines exhaust to a non-hazardous location away from any potential sources of ignition. Where vent lines are used, it is the user's responsibility to assure that each regulator is individually vented and that common vent lines are not used.**

## To Change Spring (See pages four through nine)

A. The outlet pressure ranges of the spring 9 are given in the tables on Page 3. To change the spring:

1. Remove top cap 1.
2. Unscrew and remove adjustment button 3 or 6 by turning counter-clockwise, and remove spring 9.
3. Insert new spring. Make sure it is positioned correctly at the bottom before replacing adjustment button 3 or 6.
4. Adjust for the desired outlet pressure per previous section "Set-Point Adjustment."
5. When adjustment is complete, replace top cap 1. Screw it securely into place. Leaving it off could result in unstable regulator operation.
6. New spring range should be marked on regulator. If old spring range appears on regulator, it should be removed.

### CAUTION

**The diaphragm case vent must be positioned to protect against flooding, drain water, ice formation, traffic, tampering, etc. The vent must be protected against nest building animals, bees, insects, etc. to minimize the chances for foreign material from collecting in the vent side of the regulator diaphragm.**

## Shutdown

A. To take the regulator out of service, close the inlet stop valve first. Close it carefully. Then close the outlet stop valve.

Before working on the regulator, read the next section "General Servicing Instructions" and the applicable servicing instructions.

### CAUTION

**Turn gas on very slowly. If an outlet stop valve is used, it should be opened first. Do not overload diaphragm with a sudden surge of inlet pressure. Monitor the outlet pressure during start-up to prevent an outlet pressure overload.**

## General Servicing Instructions

A. Before any disassembly of the regulator make sure it is completely depressured. Pressure must be fully released from the inlet, the outlet and the control line connection. Failure to adequately depressure could result in serious personal injury.

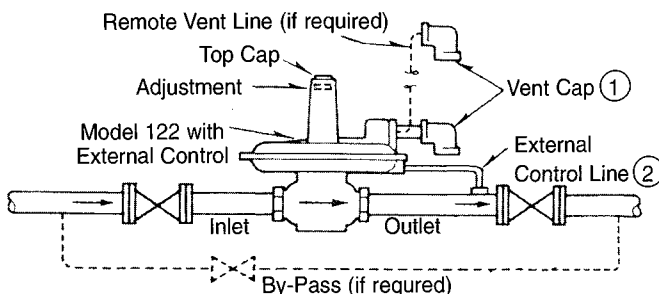
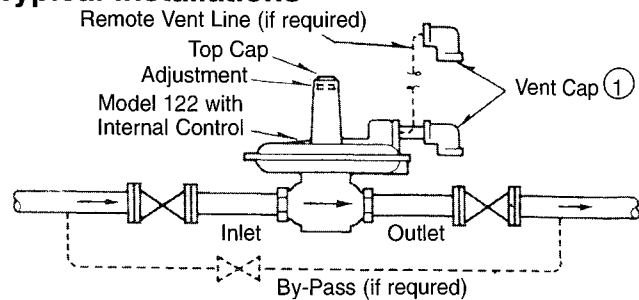
B. Carefully note the location and position of all disassembled parts to be certain reassembly is correct. Inspect each part carefully and replace any that are worn or damaged or otherwise unsatisfactory.

C. Upon completion of servicing, make certain that the regulator installation is entirely free of leaks.

### CAUTION

**Regulators are pressure control devices with numerous moving parts subject to wear that is dependent upon particular operating conditions. To assure continuous satisfactory operation, a periodic inspection schedule must be adhered to with the frequency of inspection determined by the severity of service and applicable laws and regulations.**

## Typical Installations



① Screened VENT CAP (Equimeter Model 137) with screening facing downwards is recommended to minimize the

possibility of water or other foreign matter entering regulator vent.

## Pressure Ranges and Springs

### Standard Regulator

SIZE	OUTLET PRESSURE RANGE	SPRING COLOR	SPRING PART NUMBER	MAXIMUM INLET PRESSURE	NOMINAL DIAPHRAGM SIZE
<b>3/4" Model 122-6</b>	1 1/2" w.c. to 3 1/2" w.c. ①	Cadmium Green Blue Red Blue Green Orange Black-White Black Red Green	120-08-021-12	15 psi	6"
	1 1/2" w.c. to 12" w.c.		143-62-021-17 (main spring)		
	3 1/2" w.c. to 6 1/2" w.c. ①		143-08-021-01 (counterspring)		
	5" w.c. to 8 1/2" w.c. ①		143-62-021-15		
	6" w.c. to 14" w.c. ①		143-62-021-16		
	12" w.c. to 28" w.c. ①		143-62-021-17		
	1 1/2" psi to 2 psi		143-62-021-18		
	1 1/2" to 10" w.c.		143-62-021-22		
	1 1/4" VAC to 1 1/4" w.c.		120-08-012-13		
	143-62-021-15				
143-08-021-02					
<b>1" and 1 1/4" Model 122-8</b>	1 1/2" w.c. to 3 1/2" w.c.	Blue-Black Black Green-Black Black Red-Black Blue-Black Green-Black Green Orange	143-82-021-01 (main spring)	15 psi	8"
	1 1/2" w.c. to 12" w.c.		121-41-021-00 (counterspring)		
	3 1/2" w.c. to 6 1/2" w.c. ②		143-82-021-02 (main spring)		
	5" w.c. to 8 1/2" w.c. ②		121-41-021-00 (counterspring)		
	6" w.c. to 14" w.c. ②		143-82-021-00		
	12" w.c. to 28" w.c. ②		143-82-021-01		
	1" psi to 2 psi		143-82-021-02		
			143-16-021-05		
143-16-021-06					
<b>1 1/2", 2" and 2 1/2" Model 122-12</b>	1 1/2" w.c. to 3 1/2" w.c.	Red Red-Black Maroon Red-Black Red Blue Green Orange Black Cadmium	143-16-021-03 (main spring)	15 psi	12"
	1 1/2" w.c. to 12" w.c.		121-10-021-50 (counterspring)		
	3 1/2" w.c. to 6 1/2" w.c. ③		121-42-021-00 (main spring)		
	5" w.c. to 8 1/2" w.c. ③		121-10-021-50 (counterspring)		
	6" w.c. to 14" w.c. ③		143-16-021-03		
	12" w.c. to 28" w.c. ③		143-16-021-04		
	1" psi to 2 psi		143-16-021-05		
	1 1/2" psi to 2 psi		143-16-021-06		
			143-16-021-07		
	143-16-021-08				

① ② ③ These Springs are also used on Model 122 Differential Regulators (see page 2).

### Atmospheric Regulator or Zero Governor

SIZE	OUTLET PRESSURE RANGE	SPRING PART NUMBER and COLOR	MAXIMUM INLET PRESSURE	NOMINAL DIAPHRAGM SIZE
<b>3/4" Model 122-6</b>	1 1/4" w.c. vacuum (-1 1/4" w.c.) to + 1 1/4" w.c.	143-62-021-15 Red (main spring) 143-08-021-02 Green (counterspring)	15 psi	6"
<b>1" and 1 1/4" Model 122-8</b>	1" w.c. vacuum (-1" w.c.) to + 1 1/2" w.c.	143-82-021-00 Red-Black (main spring) 121-41-021-00 Black (counterspring)	15 psi	8"
<b>1 1/2", 2" and 2 1/2" Model 122-12</b>	1" w.c. vacuum (-1" w.c.) to + 1 1/2" w.c.	143-82-021-00 Red-Black (main spring) 121-10-021-50 Red-Black (counterspring)	15 psi	12"

### Differential Regulator

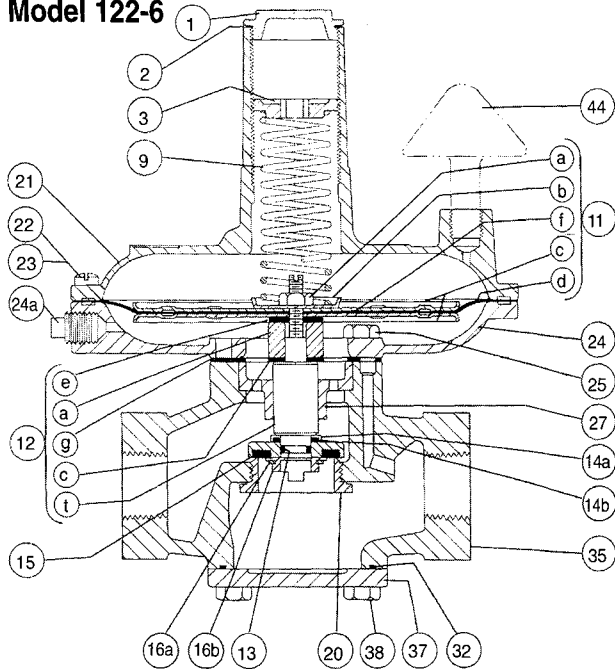
Use STANDARD REGULATOR springs. Outer Pressure Range, Spring Color and Spring Part Number are the same. Use ① springs for 3/4" Model 122-6 Differential Regulators, ② springs for 1" and 1 1/4" Model 122-8 Differential Regulators and ③ springs for 1 1/2", 2" and 2 1/2" Model 122-12 Differential Regulators. For all sizes (3/4" through 2 1/2") the Maximum Diaphragm Pressure Differential is 1 psi, the Maximum Pressure for the Body is 15 psi and the Maximum Pressure for the Diaphragm Case is 5 psi.

### Back Pressure Regulator or Relief Valve

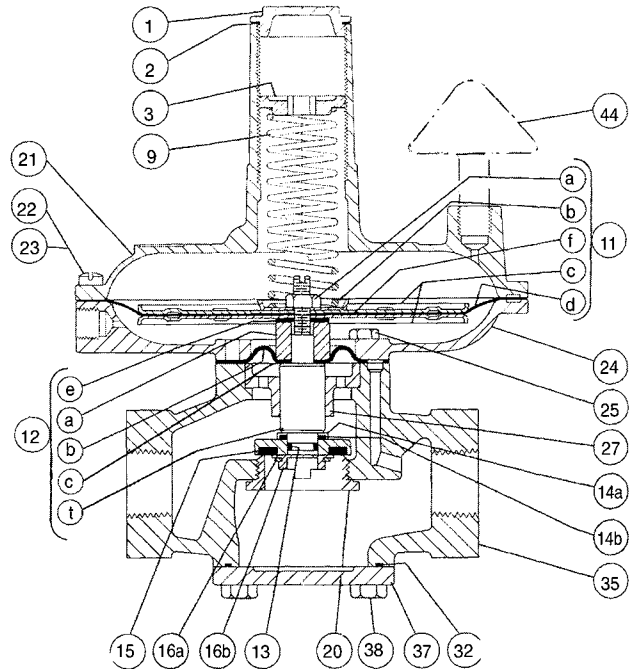
SIZE	RELIEF or BACK PRESSURE RANGE	SPRING COLOR	PART NUMBER	MAXIMUM BODY INLET PRESSURE	NOMINAL DIAPHRAGM SIZE
<b>3/4" Model 122-6</b>	1 1/2" w.c. to 3" w.c.	Cadmium Red Blue Green Orange Black-White Black	120-08-021-12	5 psi*	6"
	2 1/2" w.c. to 6" w.c.		143-62-021-15		
	5" w.c. to 8" w.c.		143-62-021-16		
	6" w.c. to 12" w.c.		143-62-021-17		
	12" w.c. to 28" w.c.		143-62-021-18		
	1 1/2" psi to 2" psi		143-62-021-22		
	1 1/2" w.c. to 10" w.c.		120-08-021-13		
<b>1" and 1 1/4" Model 122-8</b>	3" w.c. to 5 1/2" w.c.	Red-Black Blue-Black Green-Black Blue Green Orange	143-82-021-00	10 psi*	8"
	5" w.c. to 7 1/2" w.c.		143-82-021-01		
	6" w.c. to 13" w.c.		143-82-021-02		
	10" w.c. to 15" w.c.		143-16-021-04		
	12" w.c. to 25" w.c.		143-16-021-05		
	18" w.c. to 2 psi		143-16-021-06		
<b>1 1/2", 2" and 2 1/2" Model 122-12</b>	3" w.c. to 5 1/2" w.c.	Red Blue Green Orange Black	143-16-021-03	10 psi*	12"
	5" w.c. to 7" w.c.		143-16-021-04		
	6" w.c. to 12" w.c.		143-16-021-05		
	12" w.c. to 25" w.c.		143-16-021-06		
	20" w.c. to 13/4" psi		143-16-021-07		

\*NOTE: These pressures apply only to External Control Models (refer to page 5,7 or 9). For Internal Control Models the Maximum INLET Pressure is SET-POINT plus 2 psi.

## 3/4" Model 122-6



(Internal Control)  
BACK PRESSURE REGULATOR, RELIEF VALVE



(External Control)  
BACK PRESSURE REGULATOR, RELIEF VALVE

### To Service Seal Diaphragm (12b)

1. Disassemble diaphragm assembly 11 per section "To Service main Diaphragm (11d)".
2. Remove bolts 25 and lower diaphragm case 24.
3. Remove spacer 12a and seal diaphragm 12b.
4. During reassembly use screwdriver in slot in top end of stem 12d or 12t while tightening nut 11a. Diaphragms must not be twisted or strained while regular reassembly is complete.

### To Convert from Internal To External Control

1. Remove seal diaphragm 12b per Section "To Service Seal Diaphragm (12b)" and remove bushing 41. Reinstall seal diaphragm 12b so it covers and blocks the hole for bushing 41, and reassemble.
2. On Back Pressure Regulators and Relief Valves, install seal

diaphragm 12b in place of gasket 12g and seal washer 12c and reassemble.

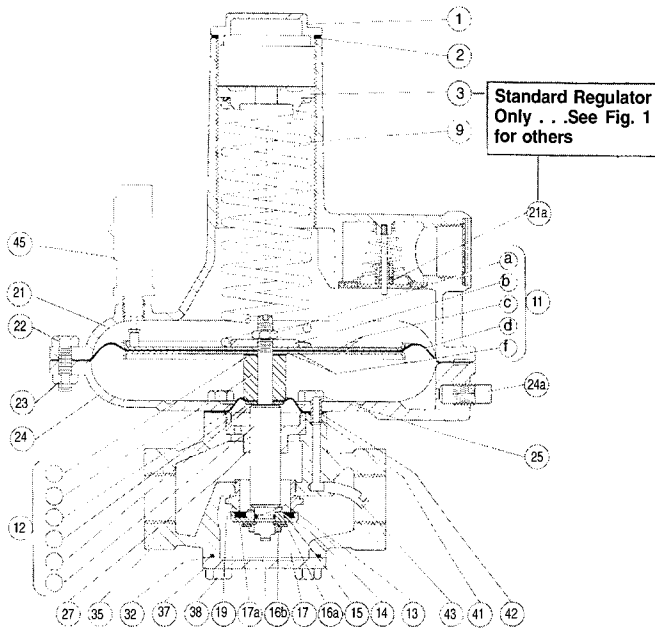
### To Convert From External To Internal Control

1. A new body, ILL.NO.36 (with internal control tube 43), is required for standard, differential and atmospheric regulators and zero governors, installing it requires complete disassembly per previous sections except that assemblies 11 and 12 remain intact. Install bushing 41 and o-ring 42.
2. On back pressure regulators and relief valves, add gasket 12g and seal washer, 12c in place of seal diaphragm 12b as shown, and reassemble. For disassembly follow section "To Service Seal Diaphragm (12b)".
3. Install plug 24a

### CONDENSED PARTS LIST

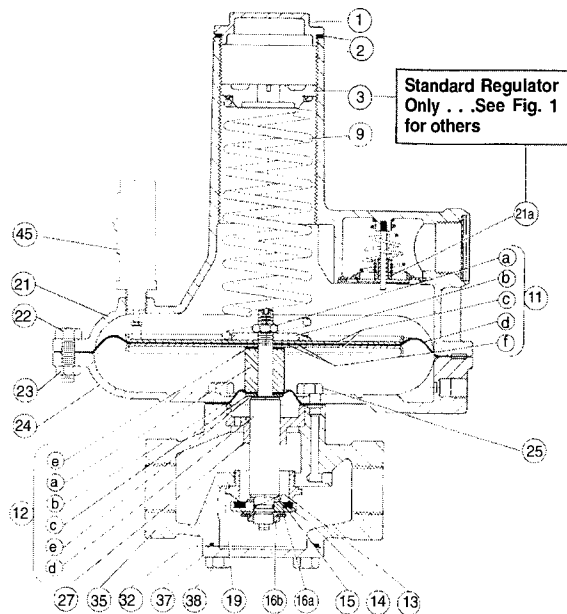
ILL. NO.	DESCRIPTION	PART NUMBER	ILL. NO.	DESCRIPTION	PART NUMBER
1	Top Cap	143-08-005-01	14b	Spacer Washer, Polyurethane, Std.	121-16-102-55
2	Gasket	120-08-066-00	15	Molded Valve, Buna-N, Std.	121-10-311-50
3	Adjustment Button	143-08-009-00	16a	Retaining Ring (5100-75H)	904447
6	Adjustment Button, Brass	173-62-009-00	16b	Valve Holder, Std.	121-16-130-50
9	Spring, See Tables, Page 3		16b	Valve Holder, Stainless	121-16-130-51
11a	Nut	920051	17	Counterspring, See Tables... Page 1	
11b	Spring Cap	120-08-018-01	19	Orifice, Brass, Std.	143-16-023-03
11c	Diaphragm Pan	107-62-017-02	19	Orifice, Stainless Steel	143-16-023-14
11d	Diaphragm, Buna-N	143-62-150-05	20	Orifice, Brass, Std.	121-10-023-50
11f	Grip Washer	121-40-178-50	20	Orifice, Stainless Steel	121-10-023-51
12a	Spacer	121-40-078-02	24a	1/4" NPT Plug	923051
12b	Seal Diaphragm, Buna-N	121-41-064-00	32	Tetraseal (or O-Ring), 2 3/8" x 2"	904081
12c	Seal Washer	121-40-016-02	36	Body with Control Tube	121-40-301-00
12d	Stem, Stainless Steel	121-40-016-03	42	O-Ring (1/4 x 3/8) Buna-N (Not Shown)	934005
12e	Seal Washer	107-62-352-01	43	Control Tube (Not Shown)	121-40-015-00
12g	Gasket, Buna-N	121-41-063-00	44	Vent Cap Assembly	137-02-505-01
12t	Stem, Stainless Steel	121-40-016-05		Repair Kit... Main and Seal Diaphragms, Seal Washers, Molded Valve, O-Rings, Tetraseals, Washers and Gasket.	
13	O-Ring, Buna-N, Std., 3/8 x 1/2	934007		1. All models except Back Pressure and Relief, Buna-N (Standard)	121-40-598-02
14	Wave Washer	905479		2. Back Pressure and Relief, Internal Control, Buna-N (Standard)	121-40-598-04
14a	Spacer Washer Retainer	121-16-103-50		3. Back Pressure and Relief, External Control, Buna-N (Standard)	143-40-598-06

## 1" and 1 1/4" Model 122-8



(Internal Control)

STANDARD REGULATOR/ATMOSPHERIC REGULATOR/ZERO GOVERNOR



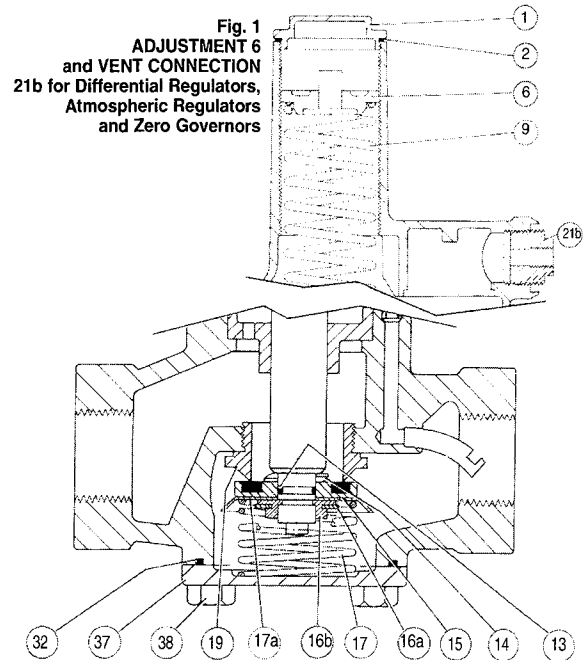
(External Control)

STANDARD REGULATOR/DIFFERENTIAL REGULATOR  
ATMOSPHERIC REGULATOR/ZERO REGULATOR

READ "GENERAL SERVICING INSTRUCTIONS" Page 2

### To Service Valve (15)

- Remove bolts 38 and bottom plate 37.  
On Back Pressure Regulators and Relief Valves, remove diaphragm assembly per section "To Service Main Diaphragm (11d)", remove bolts 25 and lower case 24, and remove assemblies 11 and 12 intact and bushing 27.
- Remove retaining ring 16a. Use Truarc 0200 pliers, Equimeter Part Number 1190646.
- Remove both halves of valve holder 16b and remove valve 15.
- Reassemble.



COUNTERSPRING 17 for Atmospheric Regulators and Zero Governors...  
also used on Standard Regulators

### To Service Main Diaphragm (11d)

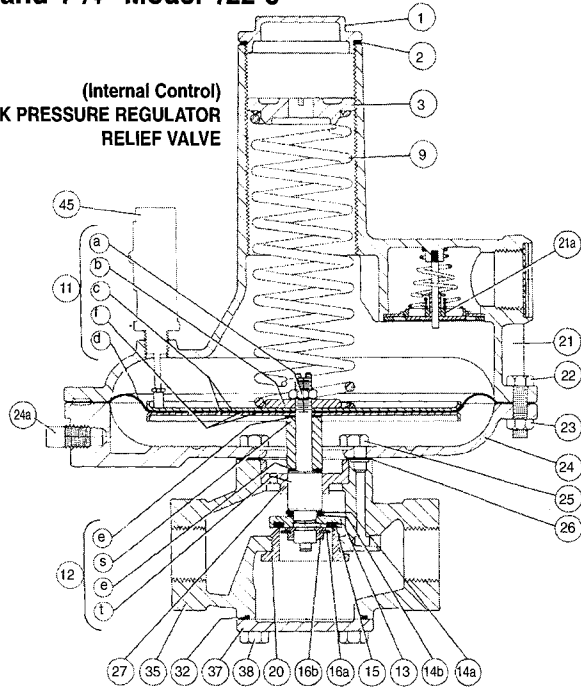
- Remove top cap 1, adjustment 3 and 6 and spring 9.  
Mark or measure position of adjustment at start. Use this to return adjustment to original setting during reassembly.
- Remove bolts 22 and upper case 21.
- On Standard Regulators and Differential Regulators, remove bolts 38 and bottom plate 37. Hold valve 15 in upward position for remaining work.
- Use a screwdriver in slot in top end of stem 12d or 12t to prevent stem from turning and loosen and remove nut 11a.
- Disassemble diaphragm assembly 11.
- When reassembling, use screwdriver per step 4 above to prevent stem 12b or 12t from turning while firmly tightening nut 11a. Excess turning of stem could strain or damage seal diaphragm 12b.  
Emery surface of grip washers 11f should face against both sides of diaphragm 11d.  
Also, where travel indicator 45 is used, make sure indicator rod is in position on top of upper diaphragm pan 11c as shown.
- Rim bolts 22 should be first made finger tight. Next, insert spring 9 and compress it slightly with adjustment 3 or 6, just enough to force diaphragm assembly 11 fully downwards. Then tighten screws 22 carefully and evenly, alternately tightening opposite screws a little at a time until all are firm and secure. There must be no leakage around the rim, but diaphragm 11d must not be crushed, twisted or pinched.

### To Service Orifice (19 or 20)

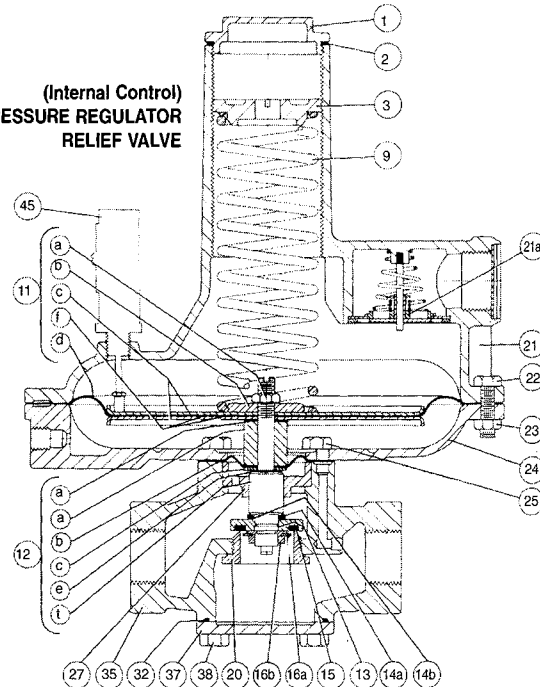
- Remove bolts 38 and bottom cap 37.
- For orifice 19, remove retaining ring 16a (use Truarc 0200 pliers, Equimeter Part No. 1190646), remove split valve holder 16b and remove valve 15.
- For orifice 20, remove top cap 1 and adjustment 3, and remove spring 9. Mark or measure the position of adjustment 3 beforehand and return it to the same place at reassembly.
- Unscrew orifice 19 or 20 using 1 5/8" hex socket wrench. When replacing orifice, use a moderate amount of pipe joint compound of orifice threads.

## 1" and 1 1/4" Model 122-8

(Internal Control)  
BACK PRESSURE REGULATOR  
RELIEF VALVE



(Internal Control)  
BACK PRESSURE REGULATOR  
RELIEF VALVE



### To Service Seal Diaphragm (12b)

1. Disassemble diaphragm assembly per section "To Service Main Diaphragm (11d)".
2. Remove bolts 25 and lower diaphragm case 24.
3. Remove seal washer 12e, spacer 12a and seal diaphragm 12b.
4. During assembly, use screwdriver in slot in top end of stem 12d or 12t while tightening nut 11a. Diaphragms must not be twisted or strained while regulator reassembly is complete.

### To Convert From Internal To External Control

1. Remove seal diaphragm 12b per Section "To Service Seal Diaphragm (12b)" and remove bushing 41. Reinstall seal diaphragm 12b so it covers and blocks the hole for bushing 41, and reassemble.
2. On Back Pressure Regulators and Relief Valves, install washer

12c and seal diaphragm 12b in place of gasket 26, install spacer 12a in place of 12s and reassemble.

3. Remove plug 24a and install external control line.

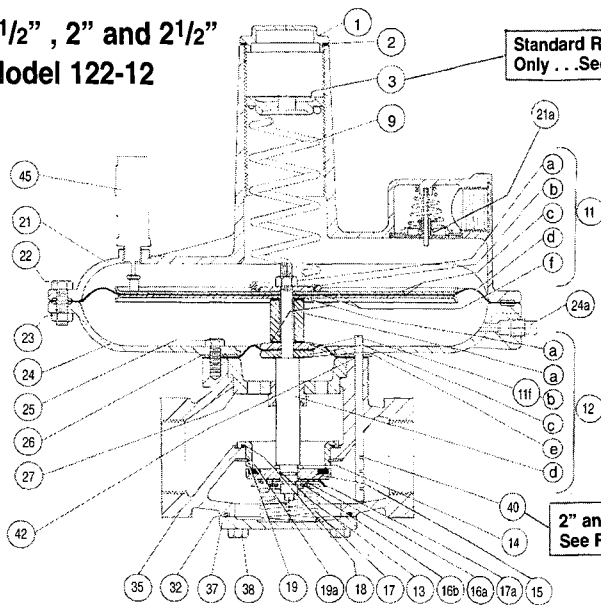
### To Convert From External To Internal Control

1. A new body, ILL.NO.35 (with internal control tube 43), is required for standard, differential and atmospheric regulators and zero governors, installing it requires complete disassembly per previous sections except that assemblies except that assemblies in fact. Install bushing 41 and o-ring 42.
2. On back pressure regulators and relief valves, add gasket 26 in place of seal diaphragm 12b, add spacer 12s in place of spacer 12a and remove 12c as shown, and reassemble. For disassembly follow section "To Service Seal Diaphragm (12b)."
3. Install plug 24a.

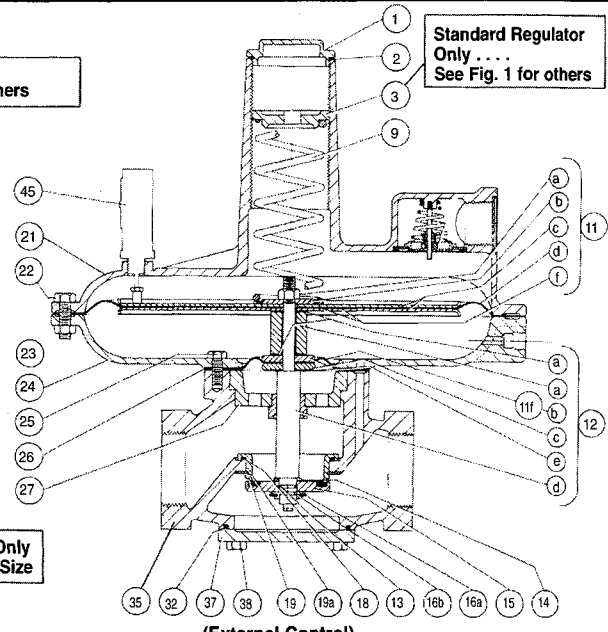
### CONDENSED PARTS LIST 1" and 1 1/4" Model 122-8

ILL. NO.	DESCRIPTION	PART NUMBER	ILL. NO.	DESCRIPTION	PART NUMBER
1	Top Cap	143-16-005-00	16a	Retaining Ring, (5100-75H)	904447
2	O-Ring	951357		Pliers for retaining ring 16a, truarc 0200	1190646
3	Adjustment Button	143-16-009-00	16b	Valve Holder, Split, Std.	121-16-130-50
6	Adjustment Button	121-10-309-50	16b	Valve Holder, Split, Stainless	121-16-130-51
9	Spring, See Tables page 3		17	Counterspring, See Table, page 1	
11a	Nut	908158	17a	Spring Guide	121-42-018-00
11b	Bottom Spring Button	121-10-022-50	19	Orifice, 1 1/4" dia., brass, Std.	143-16-023-03
11c	Diaphragm Pan	121-10-017-50	19	Orifice, 1 1/4", Stainless	143-16-023-14
11d	Diaphragm, Buna-N, Std.	121-10-150-50	20	Orifice, 1 1/4" dia., brass, Std.	121-10-023-50
11f	Grip Washer	121-41-178-00	20	Orifice, 1 1/4", Stainless	121-10-023-51
12a	Spacer	121-41-079-00	21a	Vent Valve Assy	143-16-526-01
12b	Seal Diaphragm, Buna-N, Std.	121-41-064-00	26	Gasket	121-41-063-00
12c	Clamp Washer	121-41-010-00	32	Tetraseal (or O-Ring), 2 3/8" x 2 1/2"	904081
12d	Stem, Std.	121-41-016-00	41	Bushing	121-41-091-00
12d	Stem, Stainless	121-41-016-02	42	O-Ring, 1 1/4" x 3/8", Buna-N	934005
12e	Seal Washer	107-62-358-01	43	Control Tube	121-41-015-01
12s	Spacer, Std.	121-41-079-01	45	Travel Indicator	091-00-365-63
12t	Stem, Std.	121-41-016-01		Repair Kit . . . consisting of Main and Seal Diaphragms, Seal Washers, Molded Valve with Wave Washer and Retaining Ring, O-Ring, Tetraseals and Gaskets:	
12t	Stem Stainless	121-41-016-03		All internal control models except Back Pressure or Relief (Std.).	121-41-598-00
13	O-Ring, 3/8" x 1/2", Buna-N	934007		Back Pressure or Relief with internal control (Std.)	121-41-598-02
13	O-Ring, Viton, 3/8" x 1/2"	902418		All external control models (Std.)	121-598-01
14	Wave Washer	905479			
14a	Washer Retainer	121-16-103-50			
14b	Spacer Washer, Poly-U, Std.	121-16-102-52			
15	Molded Valve, Buna-N, Std.	121-10-311-50			

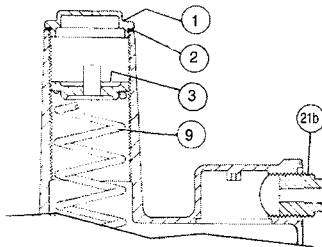
## 1 1/2" , 2" and 2 1/2" Model 122-12



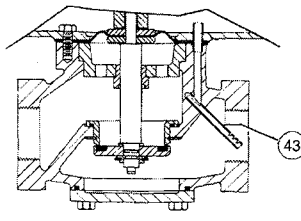
(Internal Control)  
**STANDARD REGULATOR/ATMOSPHERIC REGULATOR/ZERO GOVERNOR**



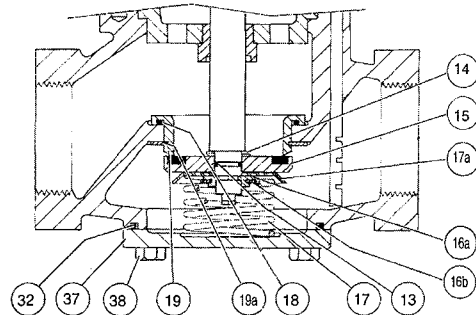
(External Control)  
**STANDARD REGULATOR/DIFFERENTIAL REGULATOR  
ATMOSPHERIC REGULATOR/ZERO REGULATOR**



**Fig. 1**  
ADJUSTMENT 6 and  
VENT CONNECTION 21b  
for Differential Regulators,  
Atmospheric Regulators  
and Zero Governors



**Fig. 2**  
CONTROL TUBE 43  
for 1 1/2" Regulators Only



COUNTERSPRING 17 for Atmospheric Regulators and Zero Governors...  
also used on Standard Regulators

### READ "GENERAL SERVICING INSTRUCTIONS" Page 2

### To Service Valve (15)

- Remove bolts 38 and bottom plate 37.  
On Back Pressure Regulators and Relief Valves, remove diaphragm assembly per section "To Service Main Diaphragm (11d)", remove bolts 25 and lower case 24, and remove assemblies 11 and 12 intact and bushing 27.
- Remove retaining ring 16a. Use Truarc 0200 pliers, Equimeter Part Number 1190646.
- Remove both halves of valve holder 16b and remove valve 15.
- Reassemble.

### To Service Main Diaphragm (11d)

- Remove top cap 1, adjustment 3 or 6 and spring 9.  
Mark or measure position of adjustment at start. Use this to return adjustment to original setting during reassembly.
- Remove bolts 22 and upper case 21.
- On Standard Regulators and Differential Regulators, remove bolts 38 and bottom plate 37. Hold valve 15 in upward position for remaining work.
- Use a screwdriver in slot in top end of stem 12d or 12t to prevent stem from turning and loosen and remove nut 11a.
- Disassemble diaphragm assembly 11.
- When reassembling, use screwdriver per step 4 above to prevent stem 12d or 12t from turning while firmly tightening nut 11a. Excess

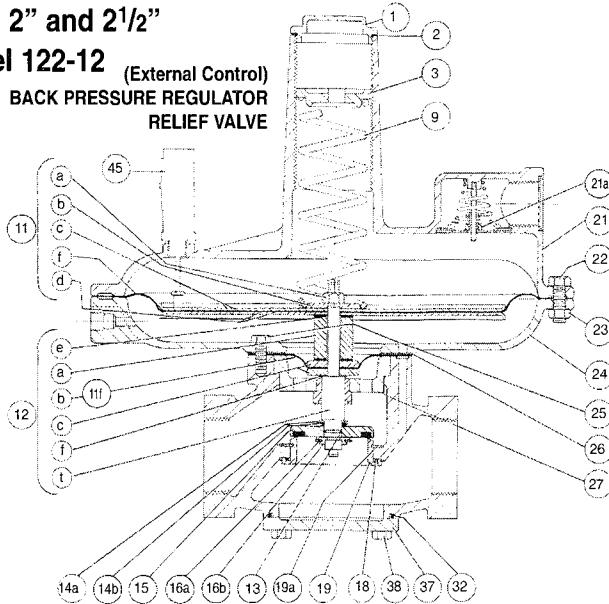
- turning of stem could strain or damage seal diaphragm 12b. Emery surface of grip washers 11f should face against both sides of diaphragm 11d.
- Also, where travel indicator 45 is used, make sure indicator rod is in position on top of upper diaphragm pan 11c as shown.
- Rim bolts 22 should all be first made finger tight. Next, insert spring 9 and compress it slightly with adjustments 3 or 6, just enough to force diaphragm assembly 11 fully downwards. Then tighten screws 22 carefully and evenly, alternately tightening opposite screws a little at a time until all are firm and secure. There must be no leakage around the rim, but diaphragm 11d must not be crushed, twisted or pinched.

### To Service Orifice (19)

- Remove bolts 38 and bottom plate 37.
- Remove valve 15 per section "To Service Valve (15)"... (does not apply to Back Pressure Regulators and Relief Valves).
- Remove main diaphragm 11d per section "To Service Main Diaphragm (11d)", remove bolts 25 and lower case 24, and remove assembly 12 and bushing 27.
- Remove retaining ring 19a. Use Truarc 0600 pliers, Equimeter Part Number 1190648.
- Remove orifice 19.
- On reassembly be sure that retaining ring 19a is fully seated in the groove all the way around the orifice.  
Also, note the bevel on the inside edge of 19a. The bevel must face toward the knife-edge of the orifice.

1 1/2", 2" and 2 1/2"

**Model 122-12**  
(External Control)  
**BACK PRESSURE REGULATOR  
RELIEF VALVE**



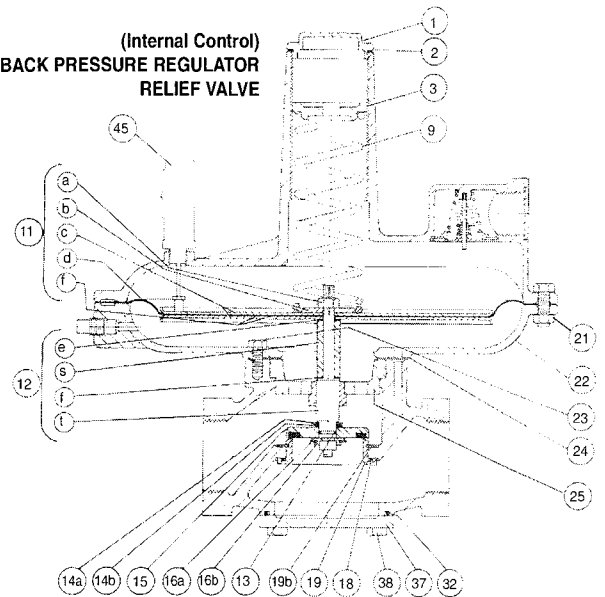
**To Service Seal Diaphragm (12b)**

1. Disassemble diaphragm assembly per section "To Service main Diaphragm (11d)".
2. Remove bolts 25 and lower diaphragm case 24.
3. Remove seal washer 12e, spacer 12a and gasket 26, and remove seal diaphragm 12b.
4. During assembly use screwdriver in slot in top end of stem 12d or 12t while tightening nut 11a. Diaphragms must not be twisted or strained when regulator reassembly is complete.

**To Convert from Internal To External Control**

1. Remove seal diaphragm 12b per Section "To Service Seal Diaphragm (12b)".  
On 1 1/2" Model 122 remove bushing 41 (See Fig. 2) and on 2" or 2 1/2" Model 122 remove control tube 40.
2. Reinstall seal diaphragm 12b and gasket 26 so they cover and block hole for 40 and 41, and reassemble.  
On Back Pressure Regulators and Relief Valves, install washers 12c and 12e, spacer 12a, seal diaphragm 12b and two 11f grip washers in place of spacer 12s, and reassemble. Emery surface of grip washers 11f must face against both sides of seal diaphragm 12b. Seal diaphragm 12b and gasket 26 must block

(Internal Control)  
**BACK PRESSURE REGULATOR  
RELIEF VALVE**



the hold for 40 or 41. However, 40 and 41 are not used in the Back Pressure Regulators and Relief Valve.

3. Remove plug 24a and install external control line.

**To Convert From External To Internal Control**

1. Remove seal diaphragm 12b per section "To Service Seal Diaphragm (12b)".
2. 1 1/2" Model 122 requires a new body with control tube 43 in place as shown in figure 2. Install bushing 41 and o-ring 42 (Figure 2). On 2" and 2 1/2" Model 122 install control tube 40 and o-ring 42. Control tube 40 must be centered and aligned with slots faced downstream as shown.  
On Back Pressure Regulators and Relief Valves, 40, 41, 42, and 43 are not used.
3. Rotate seal diaphragm 12b and gasket 34 to match 40 or 41 and reassemble.  
On Back Pressure Regulators and Relief Valves, install spacer 12s in place of spacer 12a, washer 12c and seal diaphragm 12b, and reassemble. Gasket 26 must cover opening for 40 or 41.
4. Install plug 24a.

**CONDENSED PARTS LIST 1 1/2", 2", and 2 1/2" Model 122**

Note: For ILL. No's 1, 2, 3, 6, 11a, 11b, 12e, 13, 14a, 14b, 16a, 16b, 17a, 21a, 24a, 41 and 42. See page 6 CONDENSED PARTS LIST.

ILL. NO.	DESCRIPTION	PART NUMBER	ILL. NO.	DESCRIPTION	PART NUMBER
9	Spring, See Tables, page 3		15	Valve, Buna-N	121-16-311-50
11a	Hex. S. Nut	908158	16a	Retaining Ring, (5100-75H)	904447
11b	Diaphragm Plate	121-10-022-50	16b	Valve Holder	121-16-130-50
11c	Diaphragm Pan	121-16-017-50	16b	Valve Holder (Stainless Steel)	121-16-130-51
11d	Diaphragm, Buna-N	121-16-150-50	17a	Spring Holder	121-42-018-00
11f	Grip Washer	121-10-178-50	19	Orifice, 2-5/32" dia., Std.	121-16-023-51
12a	Spacer	121-42-079-01	19	Orifice, 2-5/32" dia., Stainless	121-16-023-52
12b	Seal Diaphragm, Buna-N	121-42-064-00	19a	Pliers for retaining ring 19a, Truarc 0600	1190648
12c	Clamp Washer	121-42-010-00	26	Gasket	121-42-063-00
12d	Stem, Std.	121-42-016-00	27	Valve Stem Bushing	121-42-373-00
12d	Stem, Stainless	121-42-016-02	32	Tetraseal (or O-Ring), 3 1/4" x 3 1/2"	904078
12f	Seal Washer	107-62-358-01	40	Control Tube	121-42-315-00
12e	Seal Washer (Emery Cloth)	121-10-179-50	43	Control Tube	121-43-315-00
12s	Spacer, Std.	121-42-079-00	45	Travel Indicator	091-00-365-65
12s	Spacer, Stainless	121-42-079-03		Repair Kit . . . consisting of Main and Seal Diaphragms, Seal Washers, Molded Valve with Wave Washer and Retaining Ring, O-Ring, Tetraseals and Gaskets: All internal control models except Back Pressure or Relief (Std.).	121-42-598-00
12t	Stem, Std.	121-42-016-01		Internal Control Back Pressure and Relief	121-42-598-02
12t	Stem, Stainless	121-42-016-03		All external control models (Std.)	121-42-598-01
13	O-Ring 3/8" x 1/2"	934007			
14	Wave Washer	905479			
14a	Valve Washer Ret. (B/P)	121-16-103-50			
14b	Valve Spacer Washer (B/P)	121-16-102-52			

## Maximum Emergency Pressures

The maximum inlet pressure a Model 122 regulator may be subjected to under abnormal conditions without causing internal damage is 20 psi.

The maximum pressure the diaphragm may be subjected to under abnormal conditions without causing internal damage is set-point plus 2 psi. Set-point is defined as the outlet pressure a regulator is adjusted to deliver.

If either of the above limits is exceeded the regulator must be taken out of service and inspected. Damaged or otherwise unsatisfactory parts must be repaired or replaced before returning the regulator to service.

The maximum pressure that can be safely contained by the diaphragm case on a Model 122 regulator is 5 psi. Safely contained means no leakage as well as no bursting.

Before using any of the above data, make sure this entire section is clearly understood.

## Overpressurization Protection

Protect the downstream piping system and the regulator's low pressure chambers against overpressurization due to the possible regulator malfunction or failure to achieve complete lockup. The allowable outlet pressure is the lowest of the maximum pressures permitted by federal codes, state codes, Equimeter Bulletin RDS-1498, or other applicable standards. The method of protection can be a relief valve, monitor regulator, shutoff device, or similar mechanism.

## Full Open Capacity/ Capacities At Other Pressures

Capacity of the Model 122 in the wide-open position can be calculated using the following formula and K factors:

1. Formula . . .  $Q = K \sqrt{P_o(P_i - P_o)}$

Q = Full open capacity in SCFH of 0.6 specific gravity natural gas.

$P_i$  = **Absolute** inlet pressure (psia).

$P_o$  = **Absolute** outlet pressure (psia).

2. K Factors =

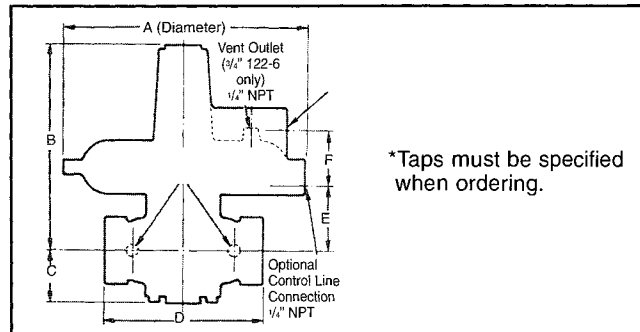
3/4" Model 122-6 . . . . .	K = 1000
1" Model 122-8 . . . . .	K = 1400
1 1/4" Model 122-8 . . . . .	K = 1750
1 1/2" Model 122-12 . . . . .	K = 2750
2" Model 122-12 . . . . .	K = 4750
2 1/2" Model 122-12 . . . . .	K = 5250

Remember, at the above full open capacities the droop is significantly greater than specified in the capacity tables.

When checking 122 regulator capacity to provide adequate relief valve capacity, use the above calculated full open capacity.

Capacities for pressure reductions not listed in the table can be calculated with the above formula.

## Dimensions



\*Taps must be specified when ordering.

	A	B	C	D	E	F	Shpg. Wt.
3/4" NPT	7 3/8"	7 7/8"	1 7/8"	5 3/4"	2 5/8"	—	10 lbs.
1" NPT	10 1/4"	11 5/8"	1 7/8"	5 3/4"	2 1/2"	3 7/16"	15 lbs.
1 1/4" NPT	10 1/4"	11 5/8"	1 7/8"	5 3/4"	2 1/2"	3 7/16"	15 lbs.
1 1/2" NPT	14"	13"	2 3/8"	7 1/2"	3 15/16"	3 9/16"	28 lbs.
2" NPT	14"	13"	2 3/8"	7 1/2"	3 15/16"	3 9/16"	28 lbs.
2 1/2" NPT	14"	13"	2 3/8"	8 1/4"	3 15/16"	3 9/16"	30 lbs.

## Materials of Construction

Body . . . . .	Cast Iron
Diaphragm Case . . . . .	Die Cast Aluminum Alloy
Stem Bushing and Plate . . . . .	Plated Steel
Main and Seal Diaphragms . . . . .	Buna-N with Nylon Fabric Insert
Orifice . . . . .	Cast Iron (1 1/2", 2" & 2 1/2" Model 122)
Orifice . . . . .	Brass (3/4", 1" & 1 1/4" Model 122)
Valve . . . . .	Plated Steel with Molded Buna-N Soft Seat
Stem . . . . .	Plated Steel
Diaphragm Pan, Collars & Washers . . . . .	Plated Steel
O-Rings and Tetra Seals . . . . .	Buna-N
Adjustment Spring Button . . . . .	Zinc Die Casting
	(1" through 2 3/4" Model 122)
Adjustment Spring Button . . . . .	Thermo-Set Plastic
	(3/4" Model 122)
Seal Cap . . . . .	Zinc Die Casting (1" through 2 1/2")
	Thermo-Plastic (3/4" Model 122)

## Other Gases

Model 122 Regulators are mainly used on natural gas. However, they perform equally well on LP gas, nitrogen, dry CO<sub>2</sub>, air and others.

OTHER GASES	CORRECTION FACTOR
Air (Specific Gravity 1.0)	0.77
Propane (specific Gravity 1.53)	0.63
1350 BTU Propane-Air Mix (1.20)	0.71
Nitrogen (Specific Gravity 0.97)	0.79
Dry Carbon Dioxide (Specific Gravity 1.52)	0.63
For other noncorrosive gases: CORRECTION FACTOR =	$\sqrt{\frac{0.6}{\text{Specific Gravity of the Gas}}}$



805 Liberty Boulevard  
DuBois, PA 15801  
814-375-8875  
Fax 814-375-8460

---

## Authorized Distributor

### Limited Warranty

Seller warrants the Goods to be free from defects in materials manufactured by Seller and in Seller's workmanship for a period of one (1) year after tender of delivery (the "Warranty Period"). THIS LIMITED WARRANTY (a) IS IN LIEU OF, AND SELLER DISCLAIMS AND EXCLUDES ALL OTHER WARRANTIES, STATUTORY, EXPRESS OR IMPLIED, INCLUDING, WITH LIMITATION, ANY WARRANTY OF MERCHANTABILITY OR FITNESS FOR A PARTICULAR PURPOSE, OR OF CONFORMITY TO MODELS OR SAMPLES; (b) does not apply to any Goods which have been (i) repaired, altered or improperly installed; (ii) subjected to improper use or storage, (iii) used or incorporated with other materials or equipment, after buyer or anyone using the Goods has, or reasonably should have, knowledge of any defect or nonconformance of the Goods; or (iv) manufactured, fabricated or assembled by anyone other than Seller, (c) shall not be effective unless buyer notifies Seller in writing of any purported defect or nonconformance with (thirty days) after Buyer discovers or should have reasonably discovered such purported defect or nonconformance; and (d) shall only extend to Buyer and not to any subsequent buyers or users of the Goods. Buyer shall provide Seller access to the Goods as to which Buyer claims a purported defect or nonconformance, upon request by Seller, buyer shall, at its own risk and expense, promptly return the Goods in question to Seller's Plant.