



### APPLICATIONS

- Water treatment
- Industrial wastewater treatment
- Cooling water monitoring
- Industrial fluid control

### FEATURES

- Low-friction, long-life jewel bearings
- One moving part
- Field repairable
- Choice of materials for chemical compatibility
- Fits 1-1/2" to 8" pipe
- Fixed depth in fitting ensures correct depth in pipe

### GENERAL INFORMATION

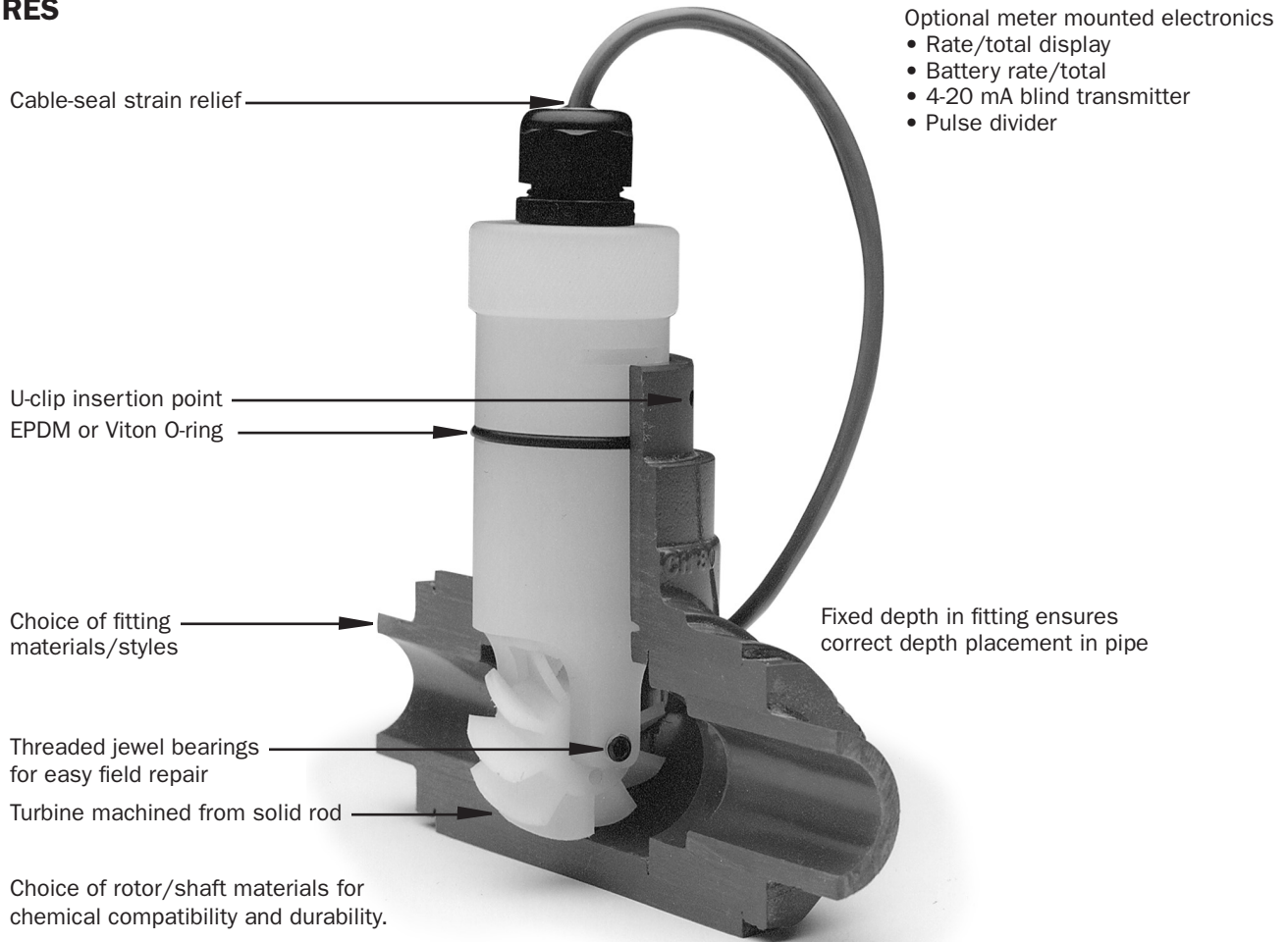
The TX80-Series are insertion turbine meters designed for use in 1-1/2" to 8" pipe. High-quality jewel bearings and precision shafts ensure long life and low friction. Available in 316 stainless steel, brass, PVC and polypropylene, sensor bodies are machined from solid rod for maximum low-flow performance. The TX80-Series use special fittings that ensure ease of installation and correct depth setting in the pipe.

The rotation of the turbine is detected by a non-drag Hall-effect sensor. Output is a pulse-type square wave, which can be sent long distances (up to 2,000 feet) without a


transmitter. This signal can be connected directly to Seametrics controls and displays, as well as PLC's, counters, and computer cards.

Seametrics TX80 meters are ideal for chemical proportioning applications. If no display is required, a simple divider such as the PD10 provides adjustable pump pacing. For rate and total display, as well as pump pacing, the FT420 flow indicator can be mounted directly on the TX80-Series, or remotely on a wall or panel. The FT415 offers a battery-operated rate/totalizer where power is not available.

## FEATURES



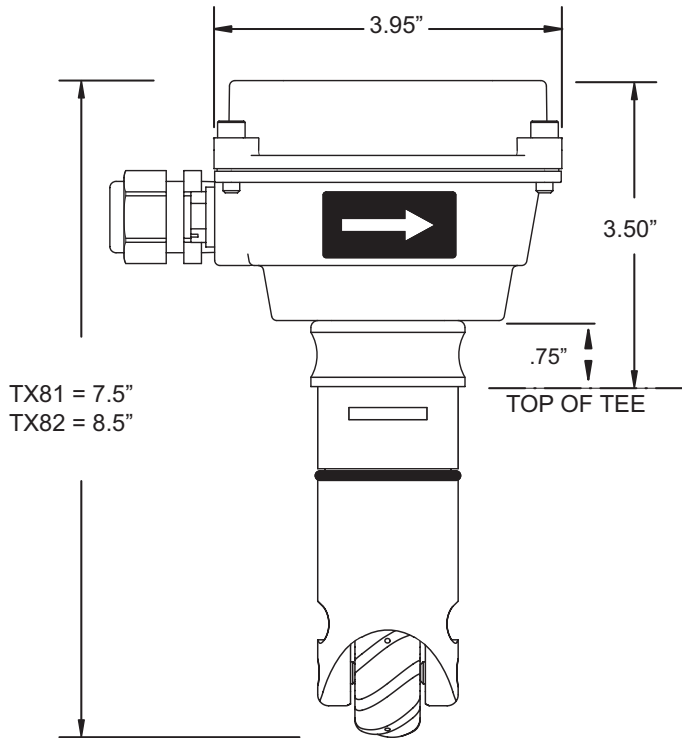
## SPECIFICATIONS\*

<b>Materials</b>	<b>Body</b>	Polypropylene, brass or stainless steel		
	<b>Rotor Assembly</b>	Polypropylene rotor/carbide shaft (PVDF rotor/ceramic shaft optional)		
	<b>Bearings</b>	Ruby jewel		
	<b>O-Ring</b>	EPDM (Viton optional)		
<b>Rotor Pickup</b>	GMR (Giant Magnetoresistive Sensor)			
<b>Maximum</b>		<b>Brass</b>	<b>316 SS</b>	<b>PVC/Polypro</b>
	<b>Pressure</b>	200 psi (14 bar)	250 psi (17 bar)	175 psi (12 bar) at 75°
	<b>Temperature</b>	200° F (93° C)		130° F (55° C) at 0 psi
<b>Flow Range</b>	0.2 to 30 ft./sec.			
<b>Calibrated Accuracy</b>	+/- 1.5% of full scale			
<b>Signal</b>	Current sinking pulse, 20 mA max, 30 Vdc max (Micropower option: Pulse output swings between supply voltage and 0 Vdc)			
<b>Power</b>	6-30 Vdc @ 8 mA (Micropower option: 3.5-16 Vdc @ 0.3 mA max)			
<b>Cable</b>	22 AWG, 3 Con, 18'; 2000' max run			
<b>Regulatory</b>	 Mark (Stainless Steel, Brass and Standard Power Only)			

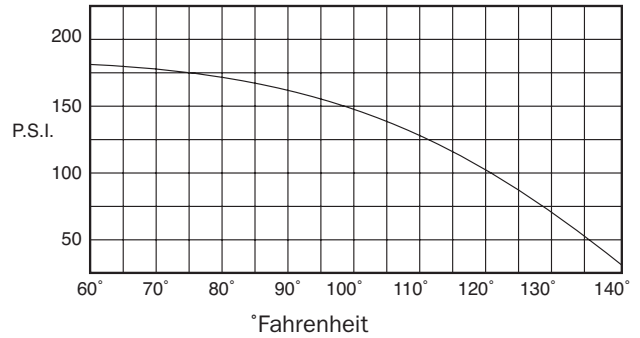
\*Specifications subject to change. Please consult our website for the most current data ([www.seametrics.com](http://www.seametrics.com)).

## DIMENSIONS

**NOTE:** Top Housing Optional



## PRESSURE VS. TEMPERATURE (PVC/Polypro)



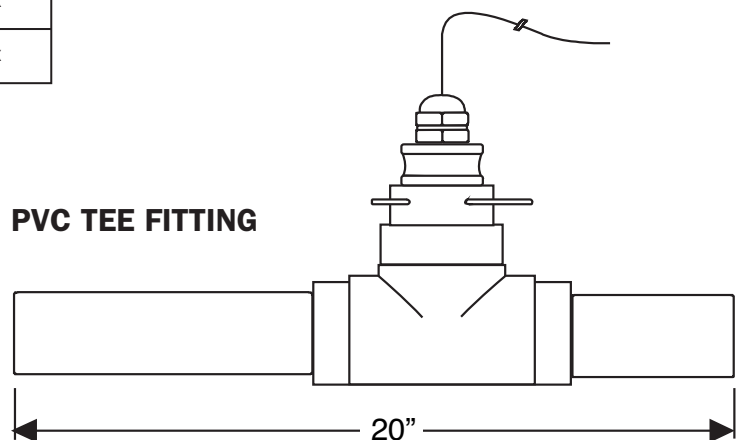
## AVAILABLE FITTINGS

	Tee	Saddle	Weld	Braze	Sweat Tee
<b>Bronze</b>	1-1/2"-4"	3"-8"	x	3"-8"	1-1/2"-4"
<b>PVC</b>	1-1/2"-2"	3"-8"	x	x	x
<b>Stainless Steel</b>	1-1/2"-2" 304SS	x	3"-8" 316SS	x	x
<b>Carbon Steel</b>	1-1/2"-2"	x	3"-8"	x	x
<b>Ductile Iron</b>	x	3"-8"	x	x	x

## FLOW RANGE (in Gallons Per Minute)

	1-1/2"	2"	3"	4"	6"	8"
<b>Min</b>	1.9	3.1	4.6	7.9	18	31
<b>Max</b>	190	314	691	1190	2700	4680

## PVC TEE FITTING





# TX80-SERIES Insertion Turbine Flow Sensor

## HOW TO ORDER

MODEL	MATERIAL	OPTIONS	FITTINGS
1-1/2" - 3" = <b>TX81</b> 4" - 8" = <b>TX82</b>	Brass = <b>B</b> 316SS = <b>S</b> PVC = <b>P</b> Polypro = <b>Y</b>	Micropower Pickup = <b>-04</b> (Use with FT415 or DL76) Rotor/Ceramic Shaft, PVDF (Kynar) = <b>-05</b> LMI Pump Connector = <b>-06</b> Seametrics Control Connector = <b>-07</b> Viton® O-Ring = <b>-60</b>	Select from chart above (Fitting Type and Material)

---

### ACCESSORIES

Rate and Total Indicator with pulse & 4-20 mA outputs = <b>FT420</b>	Pulse divider = <b>PD10</b>
Rate and Total Indicator, battery powered = <b>FT415</b>	Data logger = <b>DL76</b>
Analog transmitter, blind 4-20 mA converter = <b>AO55</b>	Mounting kit, converts wall to meter mount = <b>MK10</b>
Power converter, plug-in, 110-115 Vac, 24 Vdc = <b>PC3</b>	Mounting kit, converts meter to wall mount = <b>MK20</b>

## CONTACT YOUR SUPPLIER