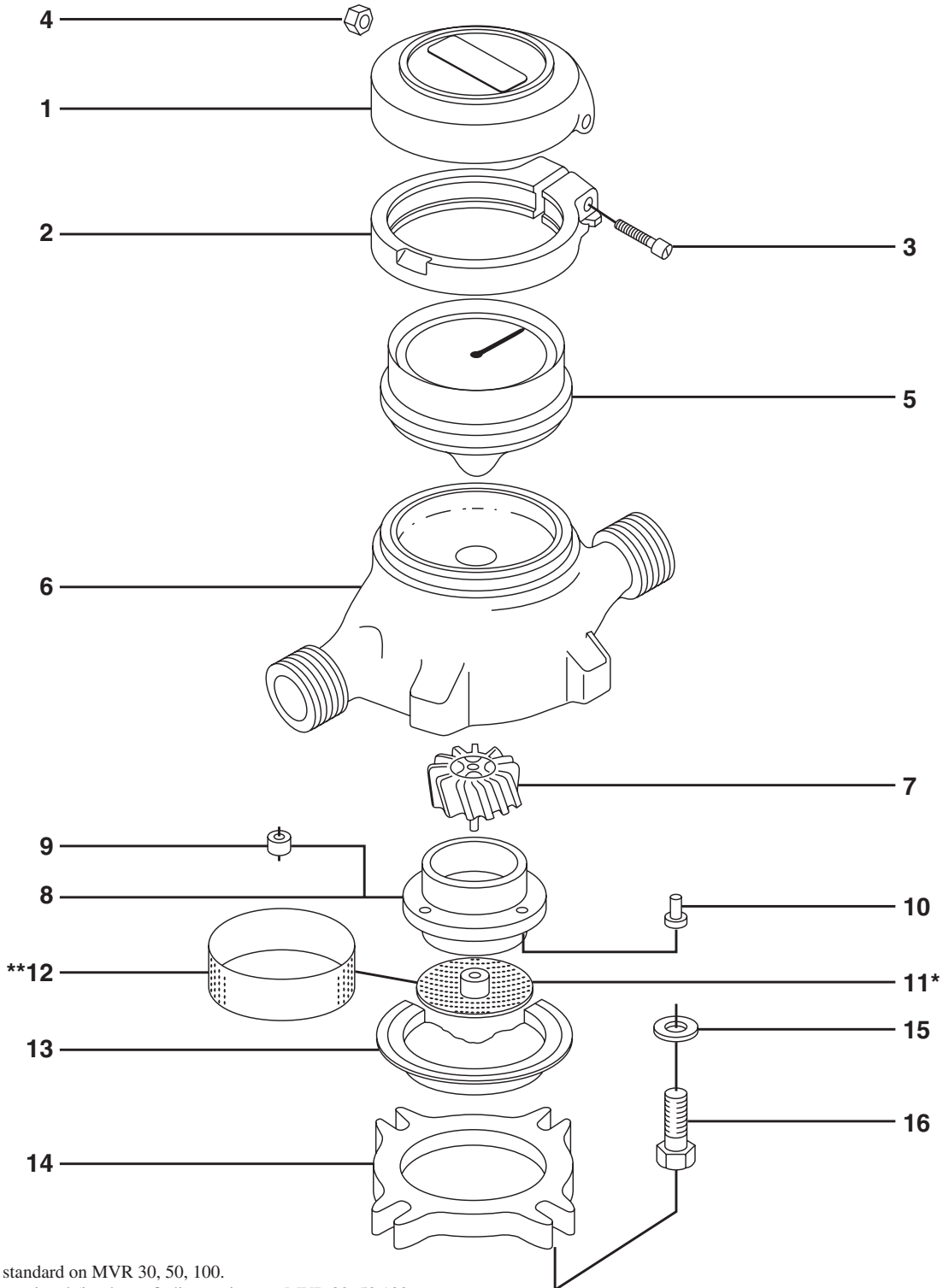


Models MVR-30, MVR 50, MVR 100 and MVR 160



* Disc Strainer - standard on MVR 30, 50, 100.

** Ring Strainer - optional (in place of) disc strainer on MVR 30, 50 100.
 Standard on MVR 160.

Model MVR Parts

Magnetic Drive Vertical Turbine Meters
 Sizes 3/4", 1", 1-1/2", 2"

Models MVR-30, MVR 50, MVR 100 and MVR 160

Ref. No.	Description	Model MVR-30	Model MVR-50	Model MVR-100	Model MVR-160
1	Lid (Plastic)	50377	50377	50377	50377
	Lid (Bronze)	50390	50390	50390	50390
2	Black Clamp Band for Visual Register Blue Clamp Band for Translator Register	50379 B8602	50379 B8602	50379 B8602	50379 B8602
3	Lid Seal Screw	19945	19945	19945	19945
4	Lid Nut	19999	19999	19999	19999
5	Sealed Registers (Specify unit of measurement)	See pages 4.9-4.11			
6	MVR 30 Top Case (7-1/2" length): 1/2" M.I.P. Ends 3/4" M.I.P. Ends 1" M.I.P. Ends	50452 50466 (A) 50476 (B)	- - -	- - -	- - -
6	MVR 50 Top Case (9" length): 1" M.I.P. Ends 1-1/4" M.I.P. Ends	- -	50566 (C) 50576 (D)	- -	- -
6	MVR 100 Top Case (9" length): 1-1/2" F.I.P. Ends 1-1/2" Bronze 2-Bolt Flange Assembly	- -	- -	50776 (E) 50784 (F)	- -
6	MVR 160 Top Case (10-1/2" length): 2" F.I.P. Ends 2" Bronze 2-Bolt Flange Assembly (10" length)	- -	- -	- -	50866 (G) 50884 (H)
7	Rotor	50471	50571	50771	50871
8	Inlet Hub	50468	50568	50768	50867
9	Lower Bushing	50374 (2)	50574 (2)	50574 (2)	-
10	Interior Screw	98394 (4)	98394 (4)	98394 (4)	98394 (4)
11	Strainer (Plastic)	50469	50569	50769	-
12	Strainer (Metal Ring)**	50480	50580	50780	50880
13	Liner	50365	50565	50765	50865
14	Bottom (Bronze)	50363	50563	50763	50863
	Bottom (Cast Iron)	50364	50564	50764	-
15	Case Washer	AS7792 (4)	AS7792 (4)	98378 (4)	98378 (4)
16	Case Bolt	90026 (4)	90026 (4)	90073 (4)	90073 (4)
	Inlet Hub Assembly	-	-	-	50862
	Bushing Spacer	-	-	-	53114
	Bushing	-	-	-	54915 (2)
	Inlet Plug Assembly	50493	50493	50493	53105
	Sapphire Thrust Bearing (Case)	98371	98371	98371	98371
	Complete Interior	50477	50577	50777	50872
	Bearing Adhesive *	-	-	-	-
	Adapters: 3/4" Adapter 3/4" Adapter Washer 1" Adapter 1" Adapter Washer 1-1/4" Adapter 1-1/4" Adapter Washer 1-1/2" Female Adapter 2" Female Adapter	95046 95014 95011 95064 - - - -	- - 95063 95064 95086 95007 -	- - - - - - 95095 -	- - - - - - - 95195

A: Order 3/4" Adapter 95046 and Adapter Washer 95014 to replace standard 3/4" disc meter, 9" long.

B: Order 1" Adapter 95011 and Adapter Washer 95064 with Top Case 50476 to replace 3/4" disc meter, 9" long, installed with 1" pipe connections.

C: Order 1" Adapter 95063 and Adapter Washer 95064 with Top Case 50566 to replace standard 1" disc meter, 10-3/4" long.

D: Order 1-1/4" Adapter 95086 and Adapter Washer 95007 with Top Case 50576 to replace 1" disc meter, 10-3/4" long, installed with 1-1/4" pipe connection.

E: Order 1-1/2" Adapter 95095 with Top Case 50776 to replace 1-1/2" female end meter installed with union connections. Assemble to length of 12-5/8".

F: Order 1-1/2" Bronze Spool Piece 50783 and gasket 95102 with Top Case 50784 to replace standard 1-1/2" disc meter, 13" long.

G: Order 2" Adapter 95195 with Top Case 50866 to replace standard 2" Female End disc meter, 15-1/4" long.

H: Order (2) Bronze Spool piece 50883 and gasket 95122 with Top Case 50884 for 17" length 2-90229 Bolt 2-90260 Nut.

* Purchase locally. Use a cyanoacrylic adhesive, such as Loctite Super Bonder #30-13, Eastman #916, Permabond or Aron Alpha.

4.6

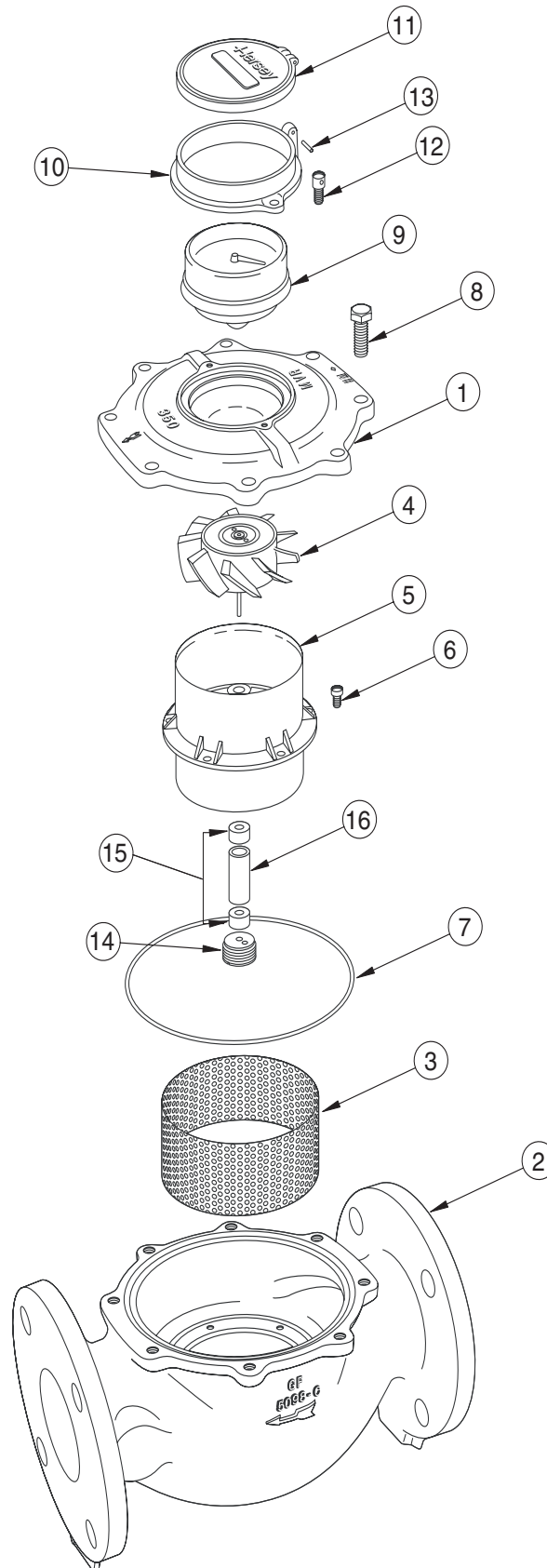
Rev. 04-06

**Standard on MVR 160. Optional on MVR 30, 50 100 in place of standard plastic disc strainer.

Note: If more than one part is required, quantity is noted after part number (in parentheses).

Magnetic Drive Vertical Turbine Meters
Sizes 3", 4" and 6"

Models MVR-350, MVR 650 and MVR 1300



Magnetic Drive Vertical Turbine Meters
 Sizes 3", 4", 6"

Models MVR-350, MVR 650 and MVR 1300

Ref. No.	Description	Model MVR-350	Model MVR-650	Model MVR-1300
1	Top Case/Thrust Bearing	50981	51181	51381
2	Bottom Case	50982	51182	51382
3	Ring Strainer	50985	51185	51383
4	Rotor Assembly	50984	51184	51384
5	Inlet Hub Assembly	50987	51187	51387
6	Inlet Hub Screws	98395 (6)	98395 (6)	98409 (12)
7	Top Case O-Ring	98361	98362	98408
8	Top Cast Screw	90073 (8)	90073 (10)	90180 (14)
9	Register	See page 4.9-4.12	See page 4.9-4.12	See page 4.9-4.12
10	Register Box (Bronze)	50998	50998	50998
11	Lid (Bronze)	19201	19201	19201
12	Register Box Screw	51005P007 (2)	51005P007 (2)	51005P007 (2)
13	Lid Pin	90394P068	90394P068	90394P068
14	Inlet Plug/Thrust Bearing	50992	50992	-
15	Rotor Bushing	54915 (2)	56915 (2)	51392 (2)
16	Bushing Spacer	54914	51186	51391

Registers

MVR Model	Cubic Feet			U.S. Gallons		
	Register Part Numbers	Internal Ratio	Relation to other Registers	Register Part Numbers	Internal Ratio	Relation to other Registers
MVR-30	B79821	551.99	-4% (in relation to B79825)	B79813	738.92	-4% (in relation to B79817)
MVR-30	B79822	546.34	-3% (in relation to B79825)	B79814	731.88	-3% (in relation to B79817)
MVR-30	B79823	540.85	-2% (in relation to B79825)	B79815	723.79	-2% (in relation to B79817)
MVR-30	B79824	536.22	-1% (in relation to B79825)	B79816	715.86	-1% (in relation to B79817)
MVR-30	B79825	530.07	-	B79817	709.01	-
MVR-30	B79826	523.96	+1% (in relation to B79825)	B79818	702.61	+1% (in relation to B79817)
MVR-30	B79827	519.6	+2% (in relation to B79825)	B79819	694.85	+2% (in relation to B79817)
MVR-30	B79828	514.2	+3% (in relation to B79825)	B79820	688.55	+3% (in relation to B79817)
MVR-50	B79861	269.44	-4% (in relation to B79865)	B79851	360.58	-3% (in relation to B79854)
MVR-50	B79862	266.44	-3% (in relation to B79865)	B79852	356.41	-2% (in relation to B79854)
MVR-50	B79863	264.51	-2% (in relation to B79865)	B79853	353.17	-1% (in relation to B79854)
MVR-50	B79864	262.07	-1% (in relation to B79865)	B79854	349.42	-
MVR-50	B79865	258.83	-	B79855	345.93	+1% (in relation to B79854)
MVR-50	B79866	256.52	+1% (in relation to B79865)	B79856	342.53	+2% (in relation to B79854)
MVR-50	B79867	254	+2% (in relation to B79865)	B79857	339.04	+3% (in relation to B79854)
MVR-100	B79901	1973.95	-3% (in relation to B79904)	B79891	2664.16	-3% (in relation to B79894)
MVR-100	B79902	1951.68	-2% (in relation to B79904)	B79892	2646.98	-2% (in relation to B79894)
MVR-100	B79903	1935.27	-1% (in relation to B79904)	B79893	2605.61	-1% (in relation to B79894)
MVR-100	B79904	1912.65	-	B79894	2586.61	-
MVR-100	B79905	1901.98	+1% (in relation to B79904)	B79895	2554.55	+1% (in relation to B79894)
MVR-100	B79906	1882.77	+2% (in relation to B79904)	B79896	2526.66	+2% (in relation to B79894)
MVR-100	B79907	1862.97	+3% (in relation to B79904)	B79897	2505.78	+3% (in relation to B79894)
MVR-160	B79941	604.34	-3% (in relation to B79944)	B79931	808.31	-3% (in relation to B79934)
MVR-160	B79942	598.37	-2% (in relation to B79944)	B79932	800.5	-2% (in relation to B79934)
MVR-160	B79943	592.81	-1% (in relation to B79944)	B79933	792.41	-1% (in relation to B79934)
MVR-160	B79944	587.03	-	B79934	784.64	-
MVR-160	B79945	580.58	+1% (in relation to B79944)	B79935	775.87	+1% (in relation to B79934)
MVR-160	B79946	575.56	+2% (in relation to B79944)	B79936	768.47	+2% (in relation to B79934)
MVR-350	B79981	294.32	-2% (in relation to B79983)	B79971	394.09	-2% (in relation to B79973)
MVR-350	B79982	291.49	-1% (in relation to B79983)	B79972	389.61	-1% (in relation to B79973)
MVR-350	B79983	288.55	-	B79973	385.91	-
MVR-350	B79984	285.72	+1% (in relation to B79983)	B79974	382.06	+1% (in relation to B79973)
MVR-350	B79985	283.03	+2% (in relation to B79983)	B79975	378.6	+2% (in relation to B79973)
MVR-350	B79986	280.7	+3% (in relation to B79983)	B79976	374.11	+3% (in relation to B79973)
MVR-650	B80021	182.28	-3% (in relation to B80024)	B80013	239.51	-1% (in relation to B80014)
MVR-650	B80022	180.35	-2% (in relation to B80024)	B80014	236.41	-
MVR-650	B80023	178.86	-1% (in relation to B80024)	B80015	234.58	+1% (in relation to B80014)
MVR-650	B80024	176.9	-	B80016	232.95	+2% (in relation to B80014)
MVR-650	B80025	175.04	+1% (in relation to B80024)	B80017	230.62	+3% (in relation to B80014)
MVR-650	B80026	173.77	+2% (in relation to B80024)	B80018	228.21	+4% (in relation to B80014)
MVR-650	B80027	171.53	+3% (in relation to B80024)	-	-	-
MVR-650	B80028	170.34	+4% (in relation to B80024)	-	-	-
MVR-1300	B80067	413.35	-1% (in relation to B80068)	B80056	551.99	1% (in relation to B80057)
MVR-1300	B80068	409.41	-	B80057	546.34	-
MVR-1300	B80069	405.25	+1% (in relation to B80068)	B80058	540.85	1% (in relation to B80057)

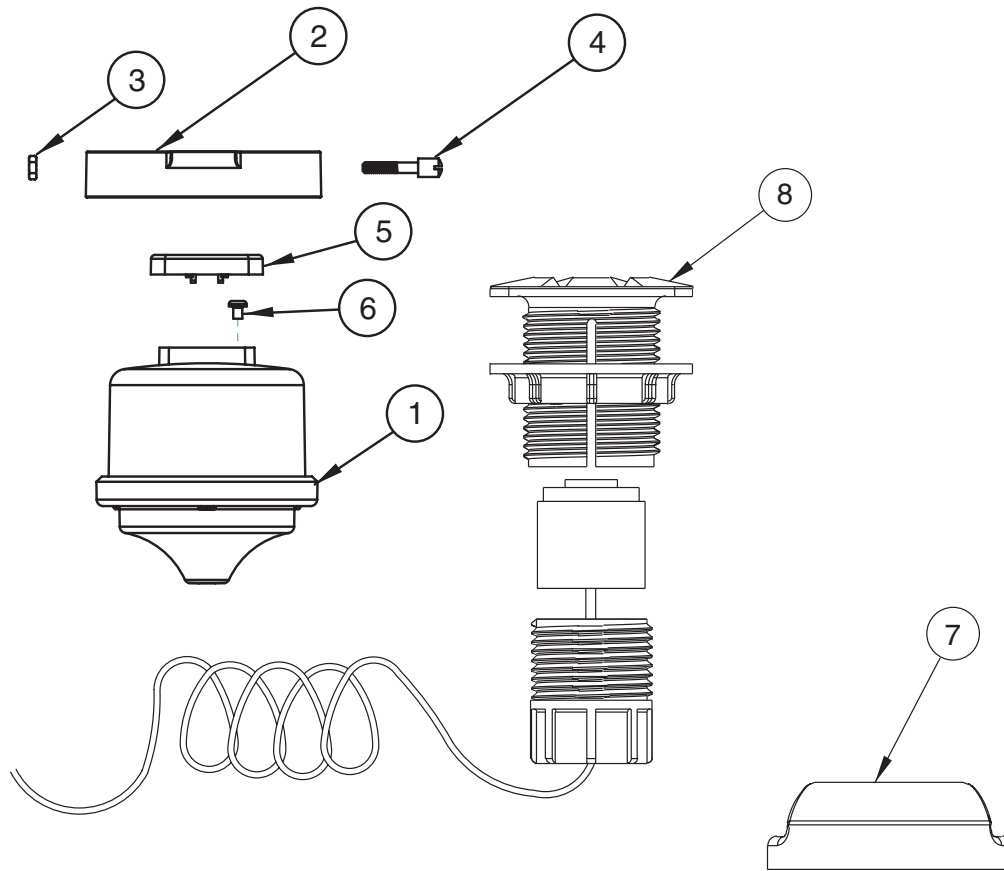
Model MVR Parts

Magnetic Drive Vertical Turbine Meters
 Sizes 3/4", 1", 1-1/2", 2", 3", 4" and 6"

Visual Registers Options

MVR Model	Cubic Feet	US Gallons
	Standard Register	Standard Register
MVR-30	B79821	B79813
MVR-30	B79822	B79814
MVR-30	B79823	B79815
MVR-30	B79824	B79816
MVR-30	B79825	B79817
MVR-30	B79826	B79818
MVR-30	B79827	B79819
MVR-30	B79828	B79820
MVR-50	B79861	B79851
MVR-50	B79862	B79852
MVR-50	B79863	B79853
MVR-50	B79864	B79854
MVR-50	B79865	B79855
MVR-50	B79866	B79856
MVR-50	B79867	B79857
MVR-100	B79901	B79891
MVR-100	B79902	B79892
MVR-100	B79903	B79893
MVR-100	B79904	B79894
MVR-100	B79905	B79895
MVR-100	B79906	B79896
MVR-100	B79907	B79897
MVR-160	B79941	B79931
MVR-160	B79942	B79932
MVR-160	B79943	B79933
MVR-160	B79944	B79934
MVR-160	B79945	B79935
MVR-160	B79946	B79936
MVR-350	B79981	B79971
MVR-350	B79982	B79972
MVR-350	B79983	B79973
MVR-350	B79984	B79974
MVR-350	B79985	B79975
MVR-350	B79986	B79976
MVR-650	B80021	B80013
MVR-650	B80022	B80014
MVR-650	B80023	B80015
MVR-650	B80024	B80016
MVR-650	B80025	B80017
MVR-650	B80026	B80018
MVR-650	B80027	B80019
MVR-650	B80028	B80020
MVR-1300	B80067	B80053
MVR-1300	B80068	B80054
MVR-1300	B80069	B80055

Translator Register Options for MVR 30 to 160



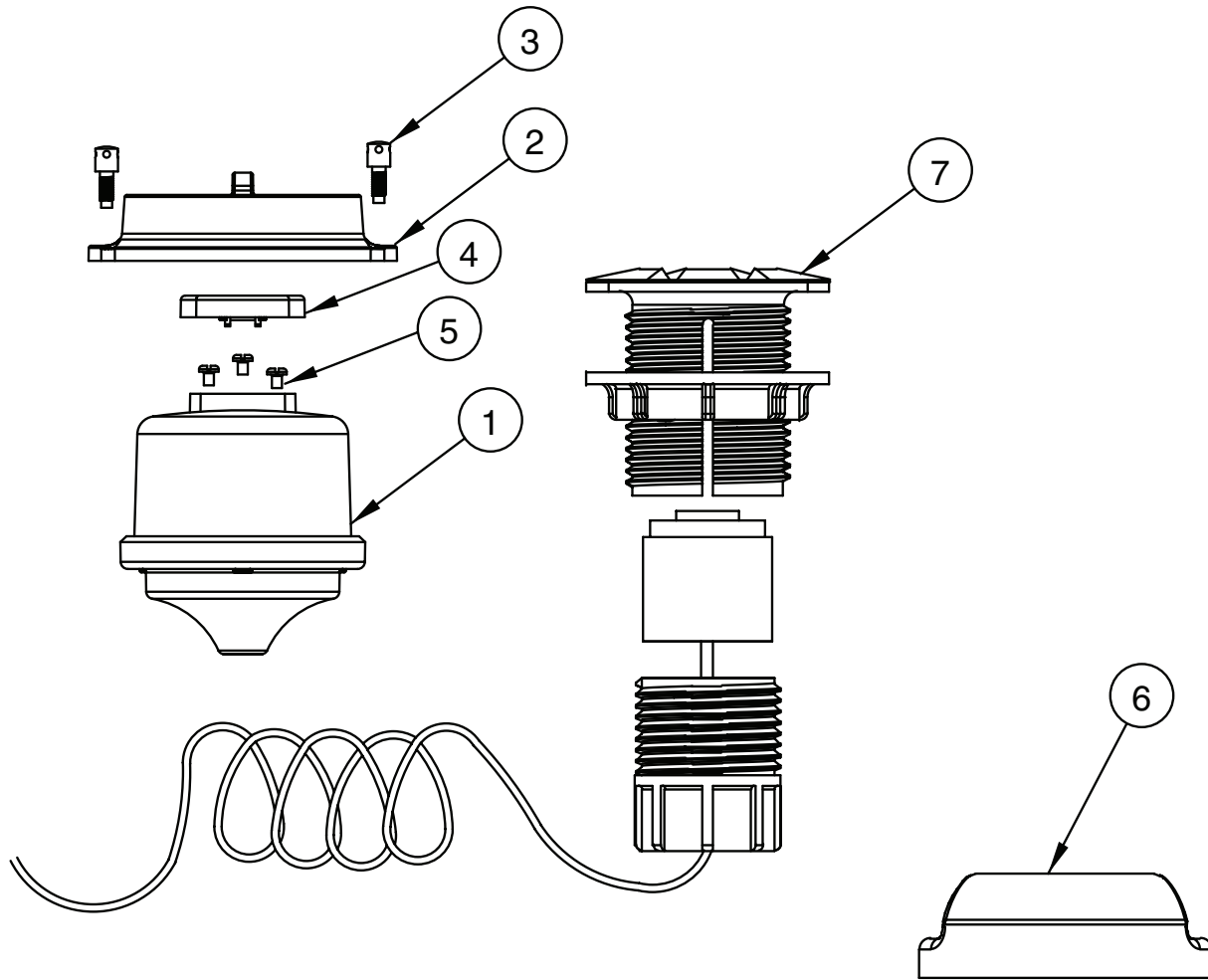
Translator Encoder Register

Ref	Description	MVR-30	MVR-50	MVR-100	MVR-160
1	Translator Register * Gallons Cubic Feet Specify Electronic Reading Value 4, 5, or 6 Wheel	D35231xxx D35232xxx	D35241xxx D35242xxx	D35251xxx D35252xxx	D35261xxx D35262xxx
2	Clamp Band (Plastic) Translator Only	B8602	B8602	B8602	B8602
3	Clamp Band Seal Nut	19999	19999	19999	19999
4	Clamp Band Seal Screw	19945	19945	19945	19945
5	Lens Terminal Cover	B8447	B8447	B8447	B8447
6	Terminal Lug Screw	98197 (3)	98197 (3)	98197 (3)	98197 (3)
7	Wall Pad	T1234	T1234	T1234	T1234
8	Pit Pad	T1240	T1240	T1240	T1240
9	TrueRead (not shown)	C6551G	C6551G	C6551G	C6551G
10	1,000' Spool of Wire (not shown)	AS755	AS755	AS755	AS755

*Call Hersey Customer Service for appropriate Translator Register and AMR device part number.

Translator Register Options for MVR 350 to 1300

Translator Encoder Register



Ref	Description	MVR-350	MVR-650	MVR-1300
1	Translator Register Gallons* Cubic Feet*	D35271xxx D35272xxx	D35281xxx D35282xxx	D35291xxx D35292xxx
2	Register Box (Bronze) Translator Only	C6525	C6525	C6525
3	Register Box Screw	51005P007 (2)	51005P007 (2)	51005P007 (2)
4	Lens Terminal Cover	B8447	B8447	B8447
5	Terminal Lug Screw	98197 (3)	98197 (3)	98197 (3)
6	Wall Pad	T1234	T1234	T1234
7	Pit Pad	T1240	T1240	T1240
8	TrueRead (not shown)	C6551G	C6551G	C6551G
9	1,000' Spool of Wire (not shown)	AS755	AS755	AS755

*Call Hersey Customer Service for appropriate Translator Register and AMR device part number.